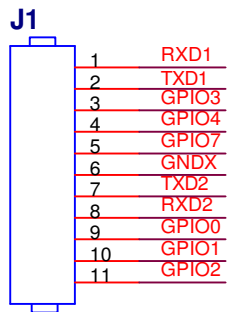
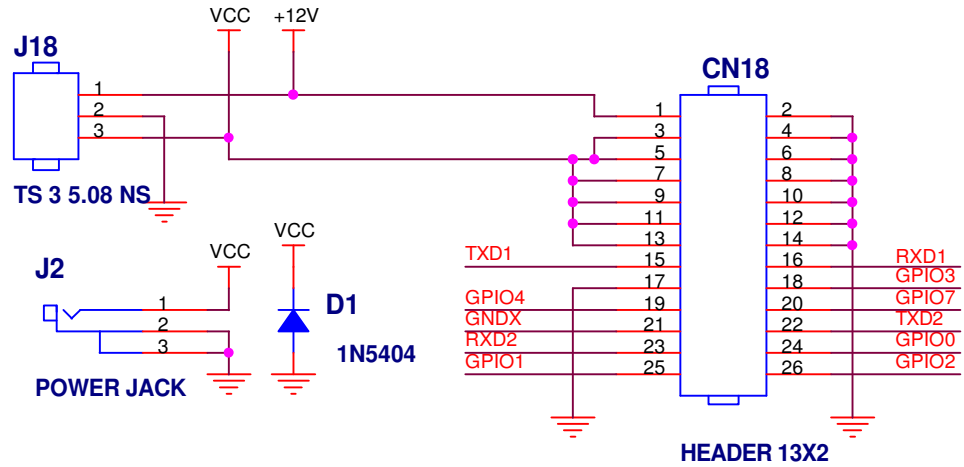
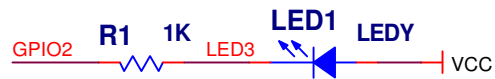


Don't stuff J18

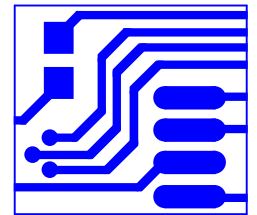


TS 11 5.08 NS

Don't stuff J1



PCB1



Title			AAEON breakout		
Size	Document Number	Rev			
A	<Doc>	V1			
Date:	Monday, February 11, 2019	Sheet	1	of	1
	2		1		