

6

5

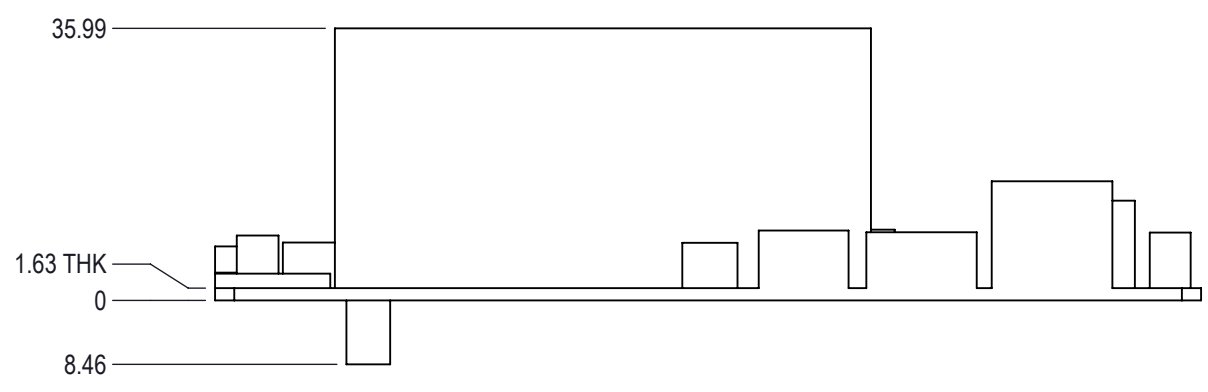
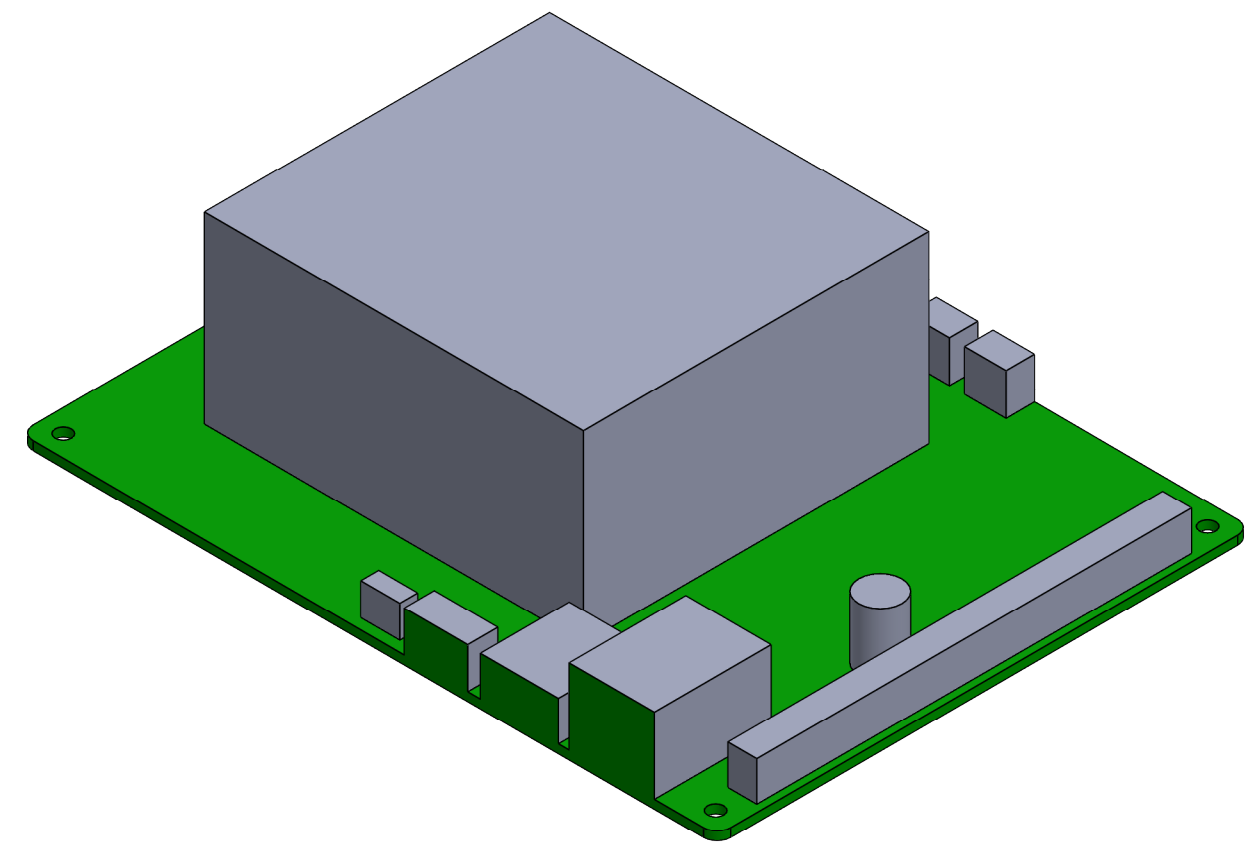
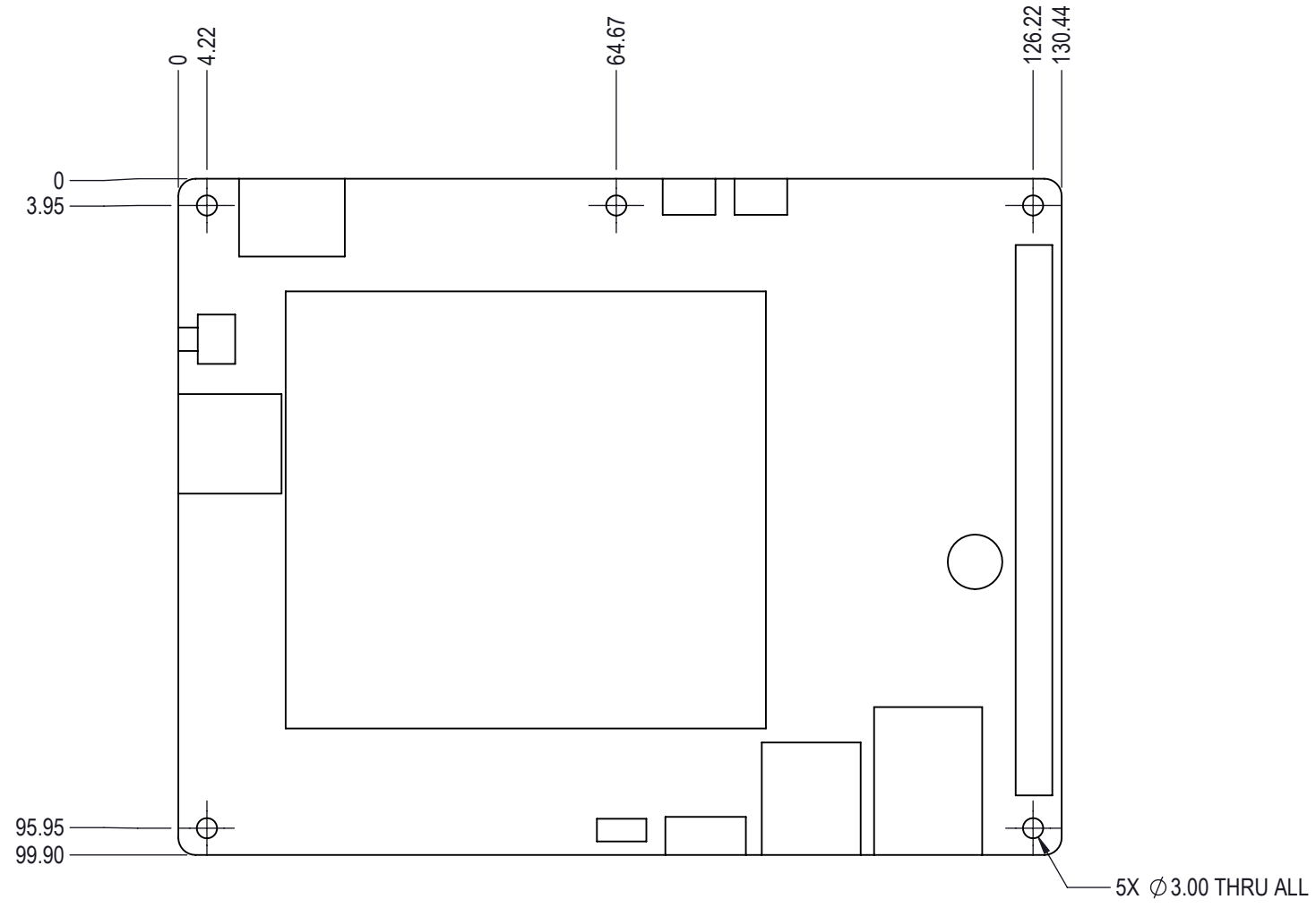
4

3

2

1

REVISIONS				
ZONE	REV.	DESCRIPTION	DATE	APPROVED
	0	BOARD MOUNTING LAYOUT	02/21/19	SC



PART NUMBER	DRAWN FF	DATE 02/21/19				
MATERIAL	CHECKED SC	DATE 02/21/19				
FINISH	RESP ENG	DATE 2/21/2019	COMPANY: DIGITAL LOGGERS			
<small>PROPRIETARY AND CONFIDENTIAL: The information contained in this drawing is the property of BC Mechanical Design and its clients. Any reproduction in part or as a whole without the written permission of BogdanCo is prohibited. © COPYRIGHT BC MECHANICAL DESIGN. ALL RIGHTS RESERVED.</small>		<small>UNLESS OTHERWISE SPECIFIED: DIMENSIONS ARE IN MILLIMETERS TOLERANCES ARE: X ± .2 .XXX ± .1 .XXX ± .02 .XXXX ± .002 ANGLES ± 1 DEG.</small>		ATOMIC PI ATOMIC PI CPU BOARD		
THIRD ANGLE PROJECTION		SCALE 1:1	SIZE B	DRAWING NUMBER --	DWG REV 0	PART REV
			SHEET 1 OF 1			

6

5

4

3

2

1

D

D

C

C

B

B

A

A